



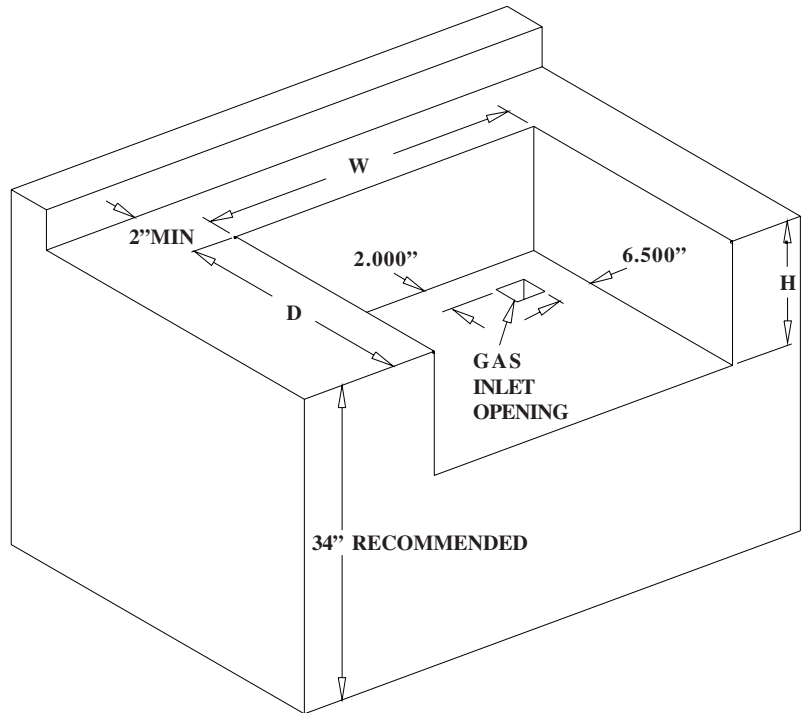
# ZERO CLEARANCE INSULATING LINER INSTRUCTION GUIDE

This liner is designed for use in a combustible enclosure; the liner must be supported from the bottom by a ledge on either side or a full deck beneath the liner (refer to opening diagram). Please use this manual in conjunction with your main manual to properly assemble your built in grill.

## KIT CONTENTS

BOTTOM PANEL	1PC
SIDE PANELS	2PCS
REAR PANEL	1PC
#8 x 1/2" TEK SCREWS	15PCS
#14 x 1/2" HEX HEAD SCREWS	6PCS

Model	Dimensions		
	W	D	H
BIZC450	35.875"	22.937"	11.125"
BIZC600	44.125"	22.937"	11.125"



**The installation must be performed by a licensed gas fitter, and all connections must be leak tested before operating the grill.**

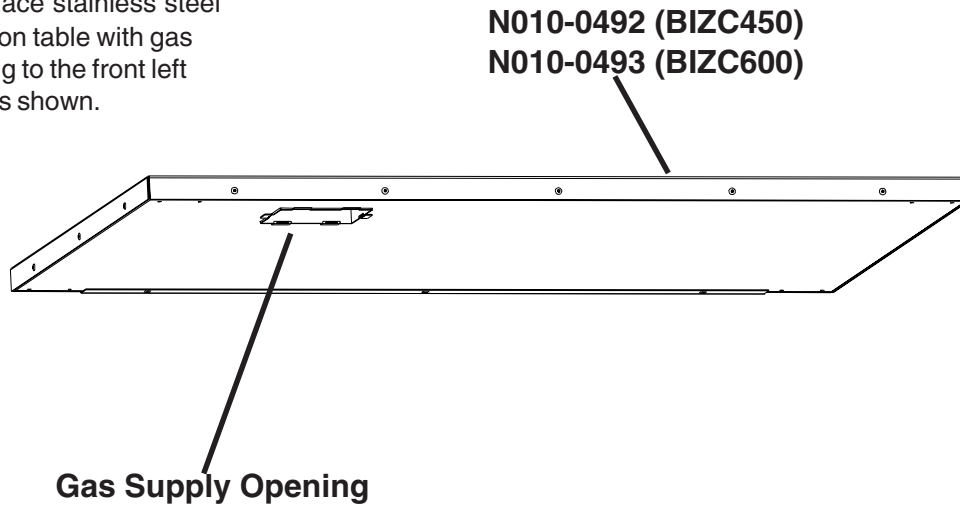
**BUILT IN PROPANE GAS HOOK-UP:** The piping up to the gas grill is the responsibility of the installer and piping should be located as shown in the built-in instructions. Do not use hose to connect the unit. It must be connected with either rigid pipe, copper tube or an approved flexible metal connector. The installation must comply with CAN B149.1 Natural Gas and Propane installation code in Canada, or to the National Fuel Gas code, ANSI Z223.1 in the United States. The minimum recommended piping size is NPS 1/2" for rigid pipe, and 1/2" OD for copper tubing (based on a 20 ft run). Longer runs may require larger sizes to conform with CAN B149.1. Propane Gas Installation Code in Canada or to the National Fuel Gas Code, ANSI Z223.1 in the United States. The gas supply must be connected to the 3/8" flare elbow fitting located under the right hand side of the control panel. If installing a side burner, a separate line must be branched off to the side burner unit and enter the side burner opening at the specified location. If the enclosure is to house a propane cylinder, the tank portion of the enclosure must be ventilated according to local codes, and must not have communication with the cavity used to enclose the gas grill. The tank can not be stored below the gas grill.

**BUILT IN NATURAL GAS HOOK-UP:** The piping up to the gas grill is the responsibility of the installer and piping should be located as shown in the built-in instructions. Do not use hose to connect the unit. It must be connected with either rigid pipe, copper tube or an approved flexible metal connector. The installation must comply with CAN B149.1 Natural Gas and Propane Installation Code in Canada, or to the National Fuel Gas Code, ANSI Z223.1 in the United States. The minimum recommended piping size is NPS 1/2" for rigid pipe, and 5/8" OD for copper tubing (based on a 20 ft run). Longer runs may require larger sizes to conform with CAN B149.1. Natural Gas Installation Code in Canada or to the National Fuel Gas Code, ANSI Z223.1 in the United States.

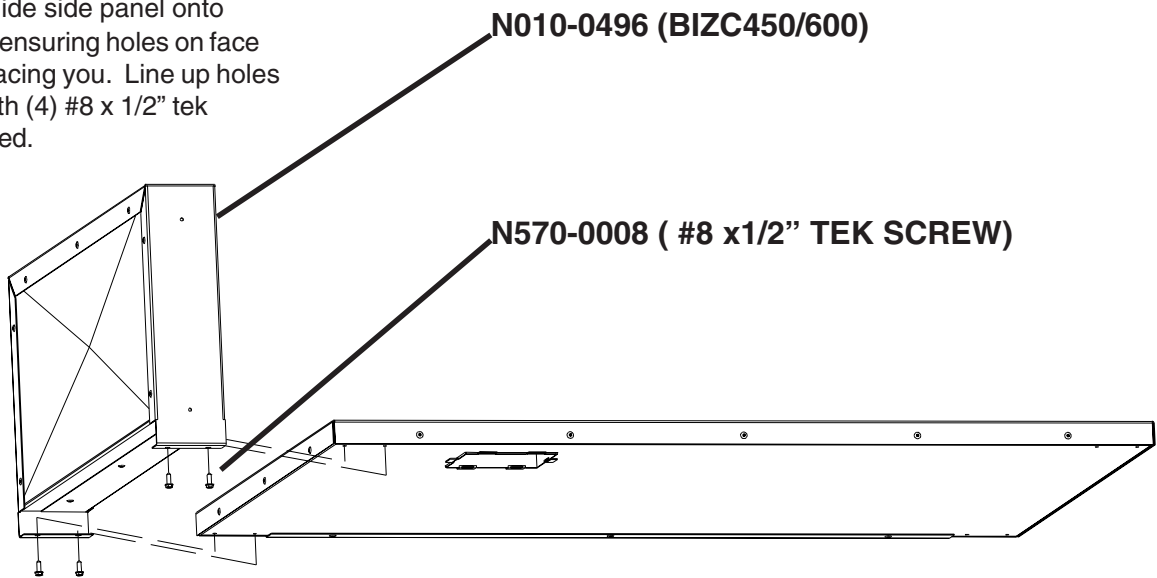
**Built in units are supplied with a drip pan which holds only a minimal amount of grease. To prevent grease fires, the pan must be cleaned after each use.**

# ASSEMBLING YOUR LINER

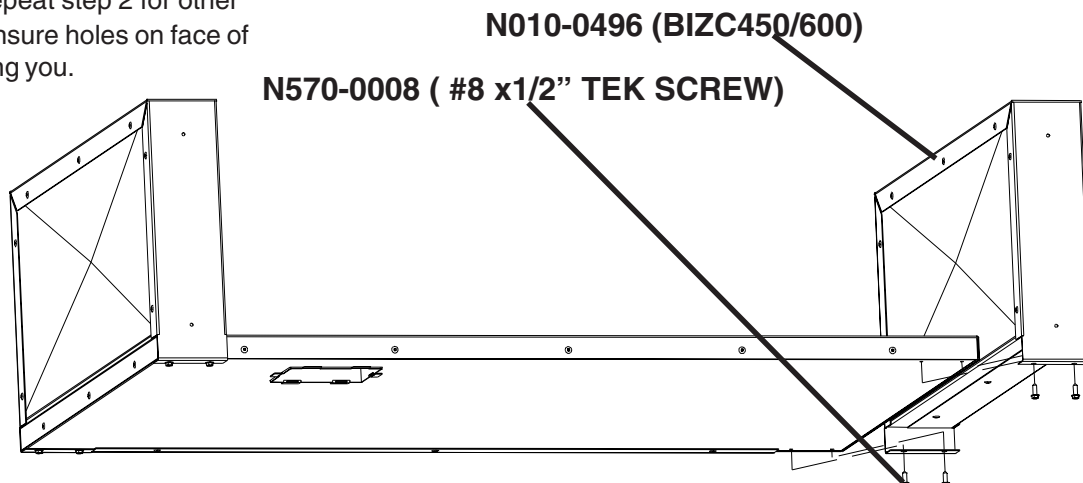
**STEP 1:** Place stainless steel bottom panel on table with gas supply opening to the front left hand corner as shown.



**STEP 2:** Slide side panel onto bottom panel ensuring holes on face of panel are facing you. Line up holes and fasten with (4) #8 x 1/2" tek screws provided.

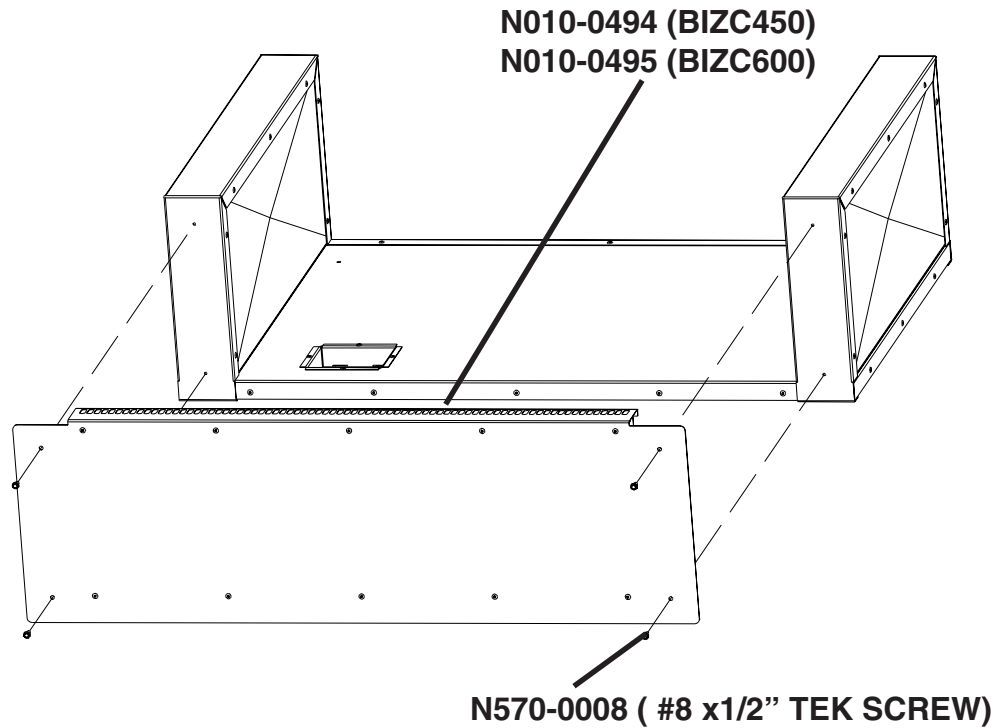


**STEP 3:** Repeat step 2 for other side panel. Ensure holes on face of panel are facing you.

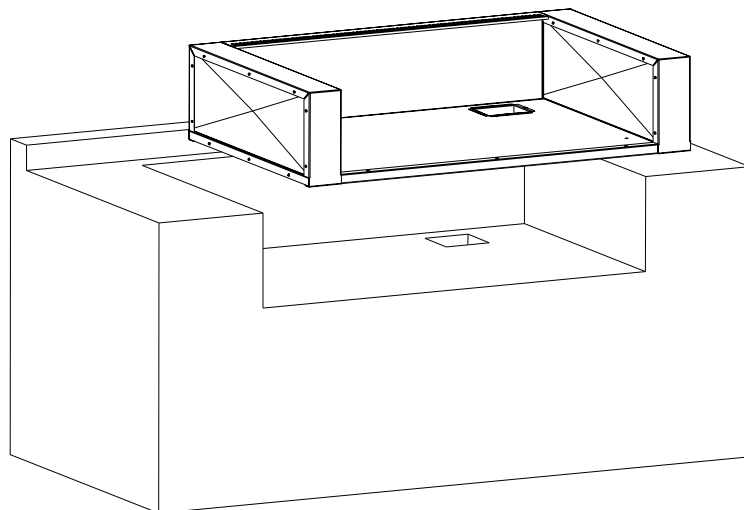


# ASSEMBLING YOUR LINER

**STEP 4:** Attach rear panel to enclosure, fastening with (7) #8 x 1/2" tek screws.



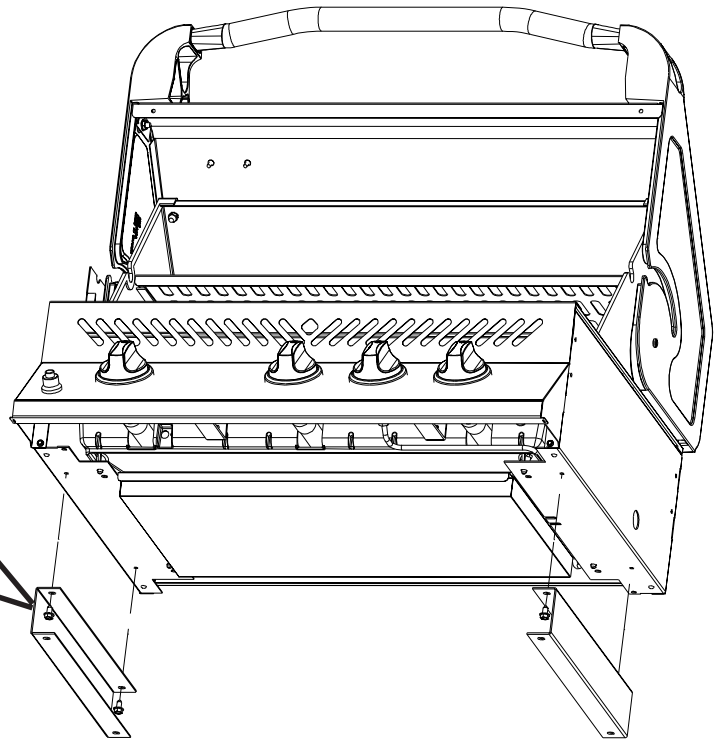
**Your liner is now ready to be mounted into your enclosure.**



# ASSEMBLING YOUR LINER

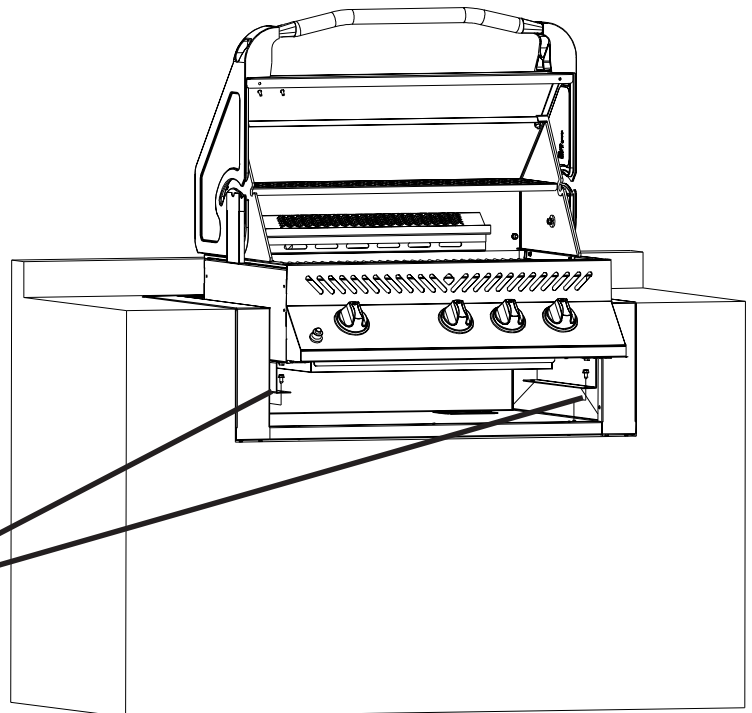
**STEP 6:** Attach mounting brackets to the bottom of your grill using (4) #14 x 1/2" hex head screws. Line up holes in brackets with holes on either edge of underside of base.

N080-0198P (BIZC450)  
N080-0199P (BIZC600)  
N570-0026 #14 x 1/2" SCREW



**STEP 7:** Lower gas grill into liner. Fasten to bottom panel of liner through front holes in brackets using #14 x 1/2" screws.

N570-0026 #14 x 1/2" SCREW



The entire installation must be leak tested prior to operating your grill (refer to leak test section of your manual for detailed instructions).