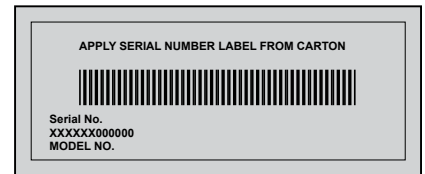
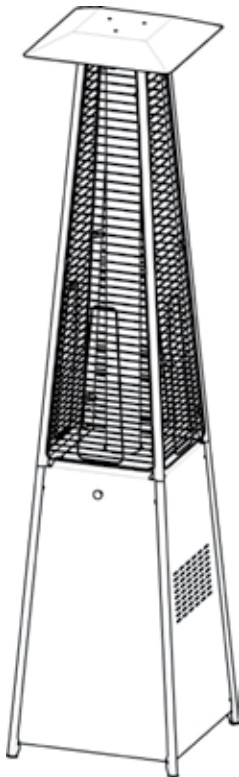




WARNING! For Outdoor Use Only.

WARNING! Improper installation, adjustment, alteration, service or maintenance can cause property damage, injury or death. Read the installation, operating and maintenance instructions thoroughly before installing or servicing this equipment.



**BELLAGIO COMMERCIAL GAS PATIO TORCH
PTH31GT**



DANGER

IF YOU SMELL GAS:

- Shut off gas to the appliance.
- Extinguish any open flame.
- If odor continues, keep away from the appliance and immediately call your gas supplier or fire department.



WARNING

Do not try to light this appliance without reading the "LIGHTING" instructions section of this manual.

Do not store or use gasoline or other flammable liquids or vapors in the vicinity of this or any other appliance. An L.P. cylinder not connected for use must not be stored in the vicinity of this or any other appliance. If the information in these instructions is not followed exactly, a fire or explosion may result, causing property damage, personal injury or death.

Notice to Installer: Leave these instructions with the gas patio torch owner for future reference.



Napoleon Appliance Corp.,
214 Bayview Dr., Barrie, Ontario, Canada L4N 4Y8 Phone: 1-866-820-8686
Fax: (705)725-2564 email: wecare@napoleonproducts.com web site: www.napoleongrills.com

NAPOLEON products are designed with superior components and materials, and are assembled by trained craftsmen who take great pride in their work. Every component has been thoroughly inspected by a qualified technician before packaging and shipping to ensure that you, the customer, receive the quality product you expect from NAPOLEON.

Napoleon Patio Torch President's Warranty

NAPOLEON warrants the materials and workmanship in your new NAPOLEON Patio Torch against defects for a period of one year. This excludes glass and painted finishes.

NAPOLEON shall not be liable for any transportation charges, labour costs, installation or removal costs, water damage or export duties.

Conditions And Limitations

"NAPOLEON warrants its products against manufacturing defects to the original purchaser only, provided that the purchase was made through an authorized NAPOLEON dealer and is subject to the following conditions and limitations:"

This factory warranty is non-transferable and may not be extended what-so-ever by any of our representatives.

The gas patio torch must be installed by a licenced, authorized service technician or contractor. Installation must be done in accordance with the installation instructions included with the product and all local and national building codes.

This limited warranty does not cover damages caused by misuse, lack of maintenance, hostile environments, accident, alterations, abuse or neglect and parts installed from other manufacturers will nullify this warranty.

This limited warranty further does not cover any scratches, dents, rust, painted finishes, abrasive and chemical cleaners, nor chipping on porcelain enamel parts, nor any components used in the installation of the gas patio torch.

Should deterioration of parts occur to the degree of non-performance within the duration of the warranted coverage, a replacement part will be provided.

In the first year only, this warranty extends to the replacement of warranted parts which are defective in material or workmanship provided that the product has been operated in accordance with the operation instructions and under normal conditions.

NAPOLEON will not be responsible for the installation, labour or any other costs or expenses related to the re-installation of a warranted part, and such expenses are not covered by this warranty.

Notwithstanding any provision contained in this President's Warranty NAPOLEON's responsibility under this warranty is defined as above and it shall not in any event extend to any incidental, consequential, or indirect damages.

This warranty defines the obligation and liability of NAPOLEON with respect to the NAPOLEON gas patio torch and any other warranties expressed or implied with respect to this product, its components or accessories are excluded.

NAPOLEON neither assumes, nor authorizes any third party to assume, on its behalf, any other liabilities with respect to the sale of this product.

Any damages to the gas patio torch due to weather damage, hail, rough handling, damaging chemicals or cleaners will not be the responsibility of NAPOLEON.

The bill of sale or copy will be required together with a serial number and a model number when making any warranty claims from NAPOLEON.

NAPOLEON reserves the right to have its representative inspect any product or part prior to honouring any warranty claim.

NAPOLEON shall not be liable for any transportation charges, labour costs, installation or removal cost, water damage or export duties.



WARNING! Failure to follow these instructions could result in property damage, personal injury or death. Read and follow all warnings and instructions in this manual prior to operating this gas patio torch.

Safe Operating Practices

- Read the entire instruction manual before operating the patio torch.
- This patio torch must always be placed on a solid level surface where it will not be knocked over as this will break the glass tube and might cause personal injury. For added stability (permanent installations) the patio torch can be bolted down using the holes located in the corners of the bottom shelf.
- This patio torch must not be installed in or on recreational vehicles and/or boats.
- Do not locate unit in windy settings. High winds adversely affect the performance of the patio torch.
- Under no circumstances should this patio torch be modified.
- Ensure proper clearance to combustibles is maintained (24" (610mm) to the top and 18" (460mm) to the sides).
- The patio torch can be installed in the following enclosed areas, as long as the clearance to combustibles is maintained.
 - a) If the patio torch is installed in an area with walls around the entire perimeter, there can be no overhead cover (no roof over the area).
 - b) If the patio torch is installed in an area with an overhead cover (roof over the area), then a minimum of either two side walls or 30% of the outside perimeter walls must be permanently open.
- Installation and repair must be performed by a qualified service person.
- Do not obstruct the flow of combustion and ventilation air. Keep the ventilation opening of the cylinder enclosure free and clear of debris.
- Do not store items under the patio torch. Items stored under the torch, will be subjected to radiant heat and could be seriously damaged.
- Gas must be turned off at the propane cylinder or at the natural gas supply valve when the patio torch is not in use.
- Do not attempt to use a cylinder that is not equipped with a QCC1 type connection.
- When the propane cylinder is connected to the appliance, the patio torch and cylinder must be stored outdoors in a well-ventilated space.
- When the patio torch is to be stored indoors, the connection between the propane cylinder and the patio torch must be disconnected and the cylinder removed and stored outdoors in a well ventilated space out of reach of children. A disconnected cylinder must have dust caps tightly installed and must not be stored in a building, garage or any other enclosed area. Natural gas units must be disconnected from the supply when being stored indoors.
- Inspect the fuel supply hose before each use. If there is evidence of excessive abrasion or wear or the hose is cut, it must be replaced prior to using the gas torch with a replacement hose assembly specified by the manufacturer.
- Avoid twisting the flexible tubing while changing the cylinder or using the patio torch.
- Never replace or substitute the regulator with any regulator other than the manufacturer suggested replacement.
- The hose must be protected from damage and located out of pathways where people may trip over it.
- Leak test the unit before initial use, annually, and whenever any gas components are replaced. (follow leak testing instructions in this manual). Never use an open flame to check for leaks.
- Follow lighting instructions carefully when operating patio torch.
- Burner controls must be off when turning supply cylinder valve on.
- The patio torch is supplied with a top reflector and protective screen. Never use the torch without the reflector and screen in place.
- **Any guard or other protective device removed for servicing the torch must be replaced prior to operating the patio torch.**
- Do not paint the radiant screen, control panel, or top radiant reflector.
- Do not spray aerosols in the vicinity of this appliance while it is in operation.
- **Clothing or other flammable material should not be hung from the patio torch, or placed on or near the patio torch.**
- **Adults and especially children should be alerted to the hazards of high surface temperatures. Young children should be supervised near the patio torch.**
- Do not leave the patio torch unattended when operating.
- Do not move the patio torch when hot or operating.
- Propane cylinder must be disconnected before moving the patio torch.
- Keep any electrical supply cord and fuel supply hose away from any heated surfaces.
- Inspect burner venturi tube for spider webs and other obstructions periodically. Clean the tubes completely if you find any such obstructions.
- Do not allow cold water (rain, sprinkler, hose, etc.) to come in contact with heated unit. A large temperature differential can cause the glass tube to crack or break.
- Do not clean the patio torch with cleaners that are combustible or corrosive.
- Do not use a pressure washer to clean any part of the patio torch.

General Information

This gas torch is certified under Canadian and American national standards, CSA 2.37a – 2008 and ANSI Z83.26a - 2008 respectively for outdoor patio heaters and must be installed to conform with local codes.

When an appliance is for connection to a fixed piping system, the installation must conform with local codes or, in the absence of local codes, with the National Fuel Gas Code, ANSI Z223.1/NFPA 54, Natural Gas and Propane Installation Code, CSA B149.1, or Propane Storage and Handling Code, B149.2.

CALIFORNIA PROPOSITION 65: The burning of gas fuel creates by-products, some of which are on the list as substances known by the State of California to cause cancer or reproductive harm. When heating with gas, always ensure adequate ventilation to the unit, to minimize exposure to such substances.

Propane Cylinder Specifications



WARNING! If these instructions are not followed exactly, a fire causing death or serious injury may occur.

A dented or rusty cylinder may be hazardous and should be checked by your propane supplier. Never use a cylinder with a damaged valve. Use only a propane supply cylinder constructed and marked in accordance with the specifications for LP-gas cylinders of the National Standard of Canada, CAN/CSA-B339, Cylinders, Spheres and Tubes for Transportation of Dangerous Goods; and Commission, as applicable or the Specifications for LP-Gas Cylinders of the U.S. Department of Transportation (D.O.T.). This appliance has been designed for use with a 20 lb. (9.1 kg) or 30 lb (13.6 kg) size propane cylinder only (not supplied).

The propane cylinder must be provided with a cylinder connection device compatible with the connection for outdoor gas appliances. The propane cylinder must be provided with a shut-off valve terminating in a propane cylinder valve type QCC1, and a safety relief device having direct communication with the vapor space of the cylinder. The cylinder supply system must be arranged for vapor withdrawal and the cylinder shall include a collar to protect the cylinder valve. The cylinder shall incorporate a listed OPD (overfill protection device). Do not store a spare LP-gas cylinder under or near this appliance. Never fill the cylinder beyond 80 percent full.

Place the dust cap on the cylinder valve outlet whenever the cylinder is not in use. Only install the type of dust cap on the cylinder valve that is provided with the cylinder valve. Other types of caps or plugs may result in leakage of propane.

Use only the pressure regulator and hose assembly provided with this patio torch. Replacement pressure regulators and hose assemblies must be specified by the manufacturer. Do not store a spare propane cylinder on the shelf beneath the torch.

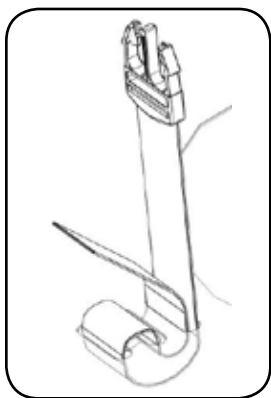
The regulator supplies a pressure of 11 inches. water column to the patio torch and has a QCC1 type fitting. Cylinders to be used with this unit must be supplied with a QCC1 cylinder valve. A QCC1 cylinder has a positive seating connection, which will not allow gas flow until a positive seal has been achieved. It is also equipped with an excess flow device. In order to attain full flow to the torch, the valve must be in the off position when the cylinder valve is turned on.

Gas Hook-Up Instructions

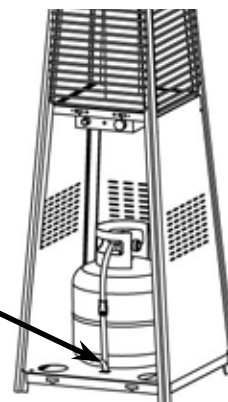


WARNING! Installation and repair must be done by a qualified service person. The appliance must be inspected before use and at least annually by a qualified service person. More frequent cleaning may be required as necessary. It is imperative that the control compartment, burners and circulating air passages of the torch be kept clean.

Propane Cylinder Installation: Set cylinder into hole in bottom shelf. Tighten strap over cylinder to secure it in place.



Loop Strapping through slots in bottom shelf and secure over top of propane tank as illustrated



Cylinder Connection: Ensure the gas regulator hose is kink free. Remove the cap from the cylinder fuel valve. Insert the black QCC1 regulator nipple onto the QCC1 fuel valve. Hand tighten clockwise. Do not use tools. Leak test all joints prior to using the patio torch. A leak test must be performed annually and each time a cylinder is hooked up or if a part of the gas system is replaced.

If this torch is to be connected directly to a house propane gas supply line, follow the instructions for the natural gas hook-up. Ensure that the supply pressure is 11 inches water column.

Natural Gas Hook-Up: These connections must be made by a licensed gas fitter. This natural gas patio torch is supplied with a gas supply hose (complete with a quick disconnect) designed for natural gas and certified for outdoor use. The patio torch is designed to operate at an inlet pressure of 7 inches water column. Piping and valves upstream of the quick disconnect are not supplied. The installation must comply with CAN B149.1 Natural Gas and Propane installation code in Canada, or to the National Fuel Gas Code, ANSI Z223.1 in the United States. The gas supply pipe must be sufficient to supply this 31,000 BTU/hr patio torch.

The quick disconnect must not be installed in an upward direction and a readily accessible manual shut-off valve must be installed upstream of, and as close to, the quick disconnect as is feasible. The flared end of the hose must be connected to the fitting on the end of the control valve as illustrated in the Natural Gas Hose Attachment diagram. Tighten using two wrenches. (Do not use thread sealer/pipe dope.) Leak test all joints prior to using the gas torch.



WARNING!

- The installation must be performed by a licensed gas fitter, and all connections must be leak tested before operating the patio torch.
- Ensure all hose connections are tightened using two wrenches. Do not use Teflon tape or pipe dope on any hose connection.
- Ensure the hose does not contact any high temperature surfaces or it may melt and leak causing a fire.
- Leak test all the connections using a soap and water solution as per the leak testing instructions found in the manual.
- The outdoor cooking gas appliance and its individual shutoff valve must be disconnected from the gas supply piping system during any pressure testing of that system at test pressures in excess of 0.5 psi (3.5 kPa).
- The outdoor cooking gas appliance must be isolated from the gas supply piping system by closing its individual manual shutoff valve during any pressure testing of the gas supply piping system at test pressures equal to or less than 1/2 psi (3.5 kPa).

Leak Testing Instructions



WARNING! A leak test must be performed annually and each time a cylinder is hooked up or if a part of the gas system is replaced.



WARNING! Never use an open flame to check for gas leaks. Be certain no sparks or open flames are in the area while you check for leaks. Sparks or open flames will result in a fire or explosion, damage to property, serious bodily injury, or death.



Leak testing: This must be done before initial use, annually, and whenever any gas components are replaced or serviced. Do not smoke while performing this test, and remove all sources of ignition. See Leak Testing Diagram for areas to check. Turn all burner controls to the off position. Turn gas supply valve on.



Brush a half-and-half solution of liquid soap and water onto all joints and connections of the regulator, hose, manifolds and valves.



Bubbles will indicate a gas leak. Either tighten the loose joint or have the part replaced with one recommended by the Napoleon Customer Care department and have the patio torch inspected by a certified gas installer.

If the leak cannot be stopped, **immediately shut off the gas supply**, disconnect it, and have the patio torch inspected by a certified gas installer or dealer. Do not use the patio torch until the leak has been corrected.


Lighting Instructions




WARNING! Never use the torch while it is raining, the glass tube could crack or break causing serious injury.




WARNING! Ensure burner controls are in the off position. Slowly turn on the gas supply valve.


1. Turn burner control to 'LIGHT' position. 

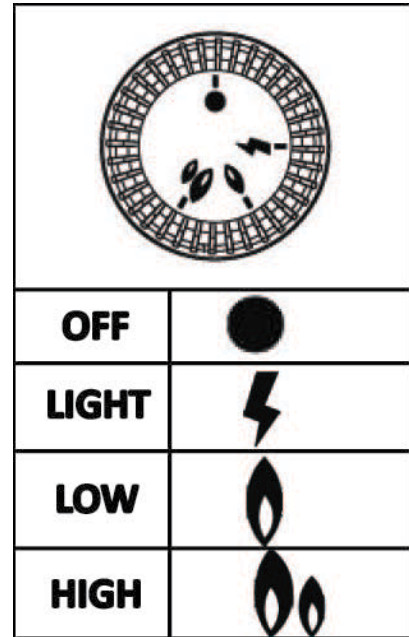
2. Press and hold igniter button until pilot lights, or light by match. (check for pilot flame through glass tube)

3. Once pilot is lit, keep control knob depressed for 15 seconds and then turn control knob to 'LOW'. 

4. If ignition is not immediate, turn burner control off. Wait 5 minutes. Repeat.

5. For maximum heat turn control knob to 'HIGH' 

6. To turn off the patio torch, turn the control knob to the 'OFF'  position and then turn the gas supply off at the source.



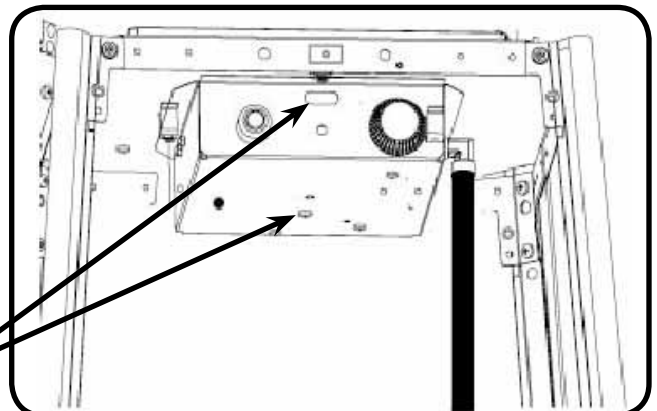
WARNING! The propane cylinder is equipped with an excess flow device. Unless burners are turned off, prior to turning the cylinder on, only small flames and low heat will be achievable.



WARNING! If lighting the unit with a match, clip the match into the supplied lighting rod. Hold the lit match through the hole in the bottom or front of the control box while turning the burner valve to high.



Lighting Holes



Operating The Patio Torch

Initial Lighting: When lit for the first time, the patio torch emits a slight odor. This is a normal temporary condition caused by the “burn-in” of internal paints and lubricants used in the manufacturing process and does not occur again. Simply run the main burner on high for approximately one-half hour.



WARNING!

- Children and adults should be alerted to the hazards of high surface temperatures and should stay away from the patio torch to avoid burns or clothing ignition.
- Children should be carefully supervised when they are in the area of the patio torch.
- Clothing or other flammable materials should not be hung from the patio torch, or placed on or near the patio torch. The area above the post may be extremely hot. Direct contact with these metal surfaces should be avoided in order to prevent burns or clothing ignition.
- Any guard or protective device removed for servicing the patio torch must be replaced prior to operating the patio torch.
- Installation and repair should be done by a qualified service person. The patio torch should be inspected before each use and at least annually by a qualified service person. More frequent cleaning may be required as necessary. It is imperative that the control compartment, burners and circulating air passageways of the patio torch be kept clean.



WARNING!

- Never use the patio torch while it is raining, the glass tube could break when exposed to water.
- Always turn the patio torch off when raining.
- Never splash any liquid on the glass tube when the patio torch is operating.
- The glass tube will be extremely hot while operating, never try to touch it.
- Always ensure the patio torch stands firmly on level ground, the glass tube will break if the patio torch is knocked over.
- Never use the patio torch if the glass tube is cracked or broken.

NOTE! The patio torch has been designed with several safety features, which include a tip over switch. If the appliance is accidentally knocked over the switch will be activated and gas to the appliance will be automatically shut off.



WARNING! Any modification to the patio torch may compromise the safety of this appliance. Special concern is as follows.

- Do not bypass thermocouple safety.
- Do not operate patio torch without a reflector.

Maintenance / Cleaning Instructions

This patio torch must be thoroughly inspected and serviced annually by a qualified service person.



WARNING! Always wear protective gloves and safety glasses when cleaning your patio torch.

WARNING! To avoid the possibility of burns, maintenance should be done only when the patio torch is cool. Avoid unprotected contact with hot surfaces. Ensure burner is turned off. Turn gas off at source and disconnect the patio torch before servicing. Do not touch or move the patio torch for at least 45 minutes after use. Clean the patio torch in an area where cleaning solutions will not harm decks, lawns, or patios. Do not use flammable, corrosive or abrasive cleaners.

Note: Stainless steel tends to oxidize or stain in the presence of chlorides and sulfides, particularly in coastal areas and other harsh environments, such as the warm, highly humid atmosphere around pools and hot tubs. These stains could be perceived as rust, but can be easily removed or prevented. To provide stain prevention and removal, wash all stainless steel surfaces every 3-4 weeks or as often as required with fresh water and/or stainless steel cleaner.

Cleaning The Outer Patio Torch Surface: Do not use abrasive cleaners or steel wool on any painted, porcelain or stainless steel parts of your Napoleon Patio Torch. Doing so will scratch the finish. Exterior torch surfaces should be cleaned with warm soapy water. To clean stainless surfaces, use a stainless steel or a non-abrasive cleaner. Always wipe in the direction of the grain. Over time, stainless steel parts discolor when heated, usually to a golden or brown hue. This discoloration is normal and does not affect the performance of the patio torch. Porcelain enamel components must be handled with additional care. The baked-on enamel finish is glass-like, and will chip if struck. Touch-up enamel is available from your Napoleon dealer.



WARNING! The patio torch area must be clear and free from combustible materials, gasoline and other flammable vapors and liquids. Do not obstruct the flow of combustion and ventilation air. Keep the ventilation opening of the cylinder enclosure free and clear of debris.

Cleaning Inside The Patio Torch: While washing your patio torch, be sure to keep the area around the burner and pilot assembly dry at all times.



WARNING! If the gas control is exposed to water in any way, DO NOT try to use the torch. It must be replaced.



WARNING! Carbon deposits may create a fire hazard. Clean the reflector and the glass tube with warm soapy water if any carbon deposits develop. Always use caution when cleaning the glass tube.



CAUTION! Beware of Spiders

Spiders and insects are attracted to the smell of propane and natural gas. The nest or web will cause the burner to burn with a soft yellow or orange flame or cause a fire (flashback). The ceramic burner ports do not require cleaning. The burner venturi can be cleaned with a pipe cleaner or venturi brush if debris has accumulated.



WARNING! Hose: Check for abrasions, melting, cuts, and cracks in the hose. If any of these conditions exist, do not use the patio torch. Have the part replaced by your Napoleon dealer or qualified gas installer.

Troubleshooting

Problem	Possible Causes	Solution
Low heat / Low flame when valve turned to high.	For propane - improper lighting procedure. For natural gas - undersized supply line.	Ensure lighting procedure is followed carefully. The valve must be in the off position when the tank valve is turned on. Turn tank on slowly to allow pressure to equalize. See lighting instructions. Pipe must be sized according to installation code.
Burners burn with yellow flame, accompanied by the smell of gas.	Possible spider web or other debris.	Thoroughly clean burner venturi. See general maintenance instructions.
Burner will not light with the igniter, but will light with a match.	Dead battery / or installed incorrectly. Loose electrode wire or switch terminal wires. Improper gap at electrode tip.	Replace with heavy duty battery. Check that electrode wire is firmly pushed onto the terminal on the back of the igniter. Check that the lead wires from the module to the ignition switch (if equipped) are firmly pushed onto their respective terminals. The gap can be adjusted by bending the tip in or out. Until a spark is achieved.
Humming regulator.	Normal occurrence on hot days.	This is not a defect. It is caused by internal vibrations in the regulator and does not affect the performance or safety of the gas torch. Humming regulators will not be replaced.
Burner output on "high" setting is too low. (Rumbling noise and fluttering blue flame at burner surface.)	Lack of gas. Supply hose is pinched. Dirty or clogged orifice. Spider webs or other matter in venturi tube. Propane regulator in "low flow" state.	Check gas level in propane cylinder. Reposition supply hose as necessary. Clean burner orifice. Clean out venturi tube. Ensure lighting procedure is followed carefully. All valves must be in the off position when the tank valve is turned on. Turn tank on slowly to allow pressure to equalize. See lighting instructions.
Pilot will not light. (if equipped)	Lack of gas. Obstruction in pilot orifice. Dirty pilot electrode.	After turning pilot knob to high, wait approximately 20-30 seconds for air to purge the gas supply line while pressing igniter. Clean pilot orifice. Clean pilot electrode.



CAUTION! During unpacking and assembly we recommended you wear work gloves and safety glasses for your protection. Although we make every effort to make the assembly process as problem free and safe as possible, it is characteristic of fabricated steel parts that the edges and corners might be sharp and could cause cuts if handled incorrectly.



ATTENTION! Lors du déballage et de l'assemblage, nous vous conseillons de porter des gants de travail et des lunettes de sécurité pour votre protection. Malgré tous nos efforts pour assurer que l'assemblage soit aussi sécuritaire et sans problème que possible, il se peut que les bords et les coins des pièces usinées en acier soient coupants et qu'ils causent des coupures si les pièces ne sont pas manipulées correctement.

Getting Started

1. Remove all of the parts from the carton. Use the parts list to ensure all necessary parts are included.
2. Do not destroy packaging until the patio torch has been fully assembled and operates to your satisfaction.
3. Assemble the patio torch where it is to be used, lay down cardboard or a towel to protect parts from being lost or damaged while assembling.
4. Most stainless steel parts are supplied with a protective plastic coating that must be removed prior to using the patio torch.
5. Follow all instructions in the order that they are laid out in this manual.

If you have any questions about assembly or patio torch operation, or if there are damaged or missing parts please call our Customer Care Department at 1-866-820-8686 between 9 AM and 5 PM (Eastern Standard Time).

Pour Commencer

1. Retirez tous les pièces du carton d'emballage. Servez-vous de la liste de pièces pour vous assurer que toutes les pièces nécessaires sont incluses.
2. Ne détruisez pas l'emballage jusqu'à ce que le torche-patio ait été complètement assemblé et qu'il fonctionne à votre satisfaction.
3. Assemblez le torche-patio là où il sera utilisé et posez un carton ou une serviette afin d'éviter de perdre ou d'endommager les pièces lors de l'assemblage.
4. La plupart des pièces en acier inoxydable possèdent un revêtement de plastique protecteur qui doit être enlevé avant d'utiliser le torche-patio.
5. Suivez toutes les instructions dans l'ordre donné dans ce manuel.

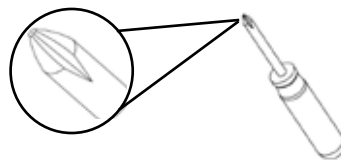
Si vous avez des questions à propos de l'assemblage ou du fonctionnement du gril, ou si des pièces sont manquantes ou endommagées, veuillez appeler notre département du Service aux Consommateurs au 1-866-820-8686 entre 9 h et 17 h (heure normale de l'Est).

TOOLS REQUIRED FOR ASSEMBLY (tools not included)

OUTILS REQUIS POUR L'ASSEMBLAGE (outils non inclus)

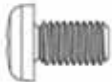


3/4 (19mm)
Wrench
Clé ¾ po (19 mm)



Philips
screwdriver
Tournevis phillips

1.

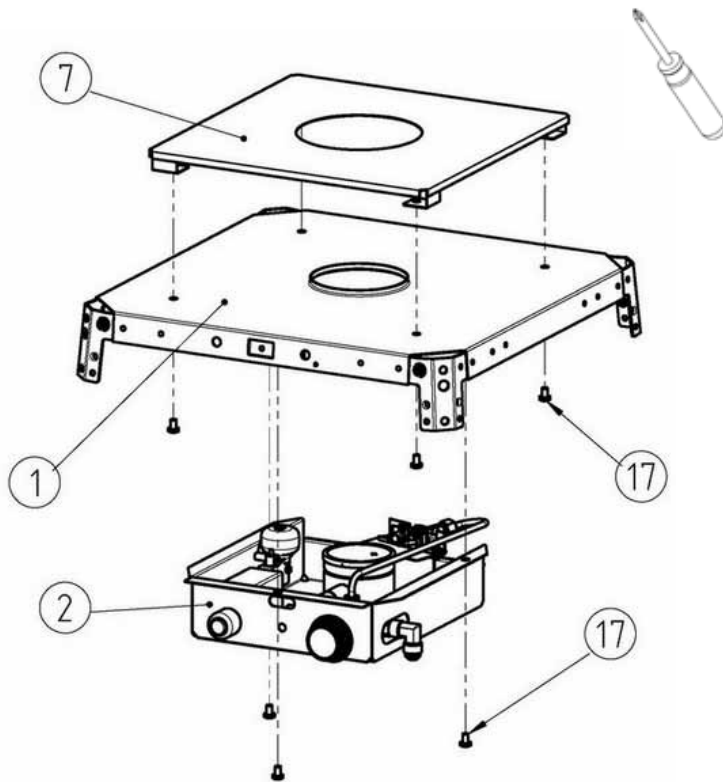


7 X (M5 X 8mm)

Disassemble the control box (2) from the plate cover (7) and the middle plate (1) by removing the (M5 x 8mm) screws (17). These parts were assembled at the factory to protect the parts during shipping.

Désassemblez le boîtier de contrôle (2) et le couvercle de plaque (7) de la plaque centrale (1) en retirant les vis (M5 x 8 mm) (17). Ces pièces ont été assemblées en usine pour éviter qu'elles soient endommagées lors de l'expédition.

Control box removal is not required. For step 2, use the short Philips screwdriver (supplied) to assemble the lower supports.
L'enlèvement du boîtier de contrôle n'est pas requis. Pour l'étape 2, utilisez le tournevis Phillips (fourni) pour assembler les supports inférieurs.



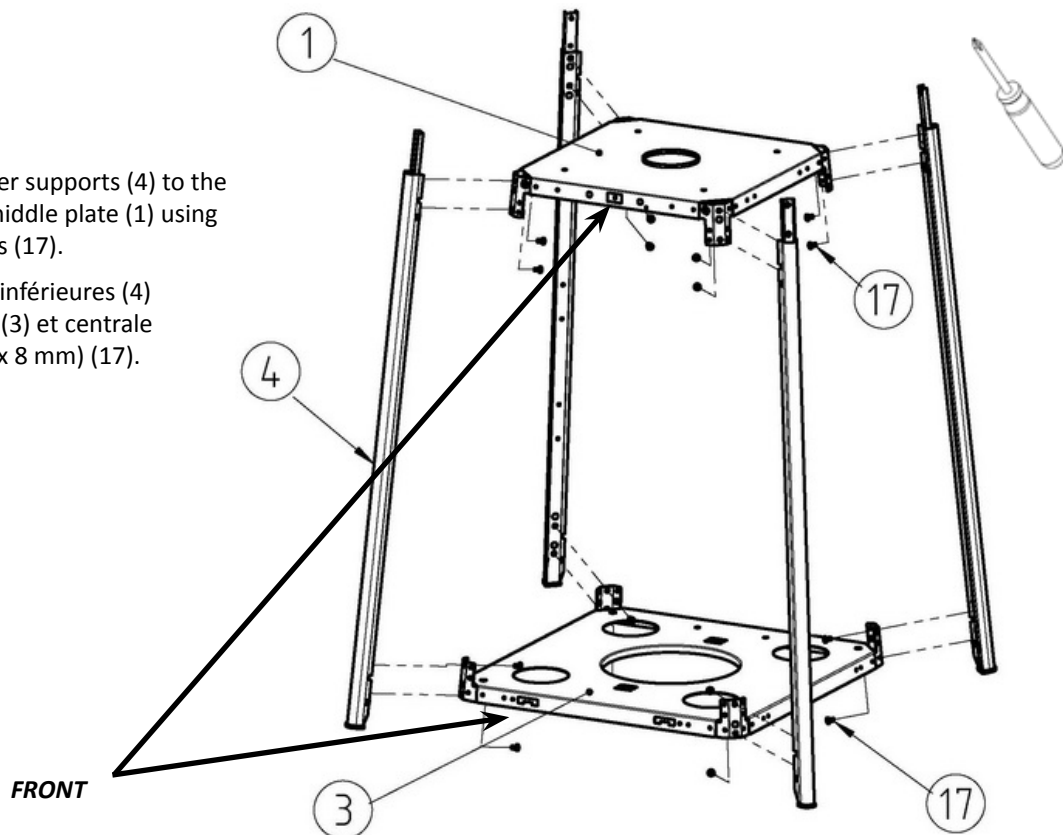
2.



16 X (M5 X 8mm)

Assemble the four lower supports (4) to the bottom plate (3) and middle plate (1) using the (M5 x 8mm) screws (17).

Fixez les quatre pattes inférieures (4) aux plaques inférieure (3) et centrale (1), à l'aide de vis (M5 x 8 mm) (17).



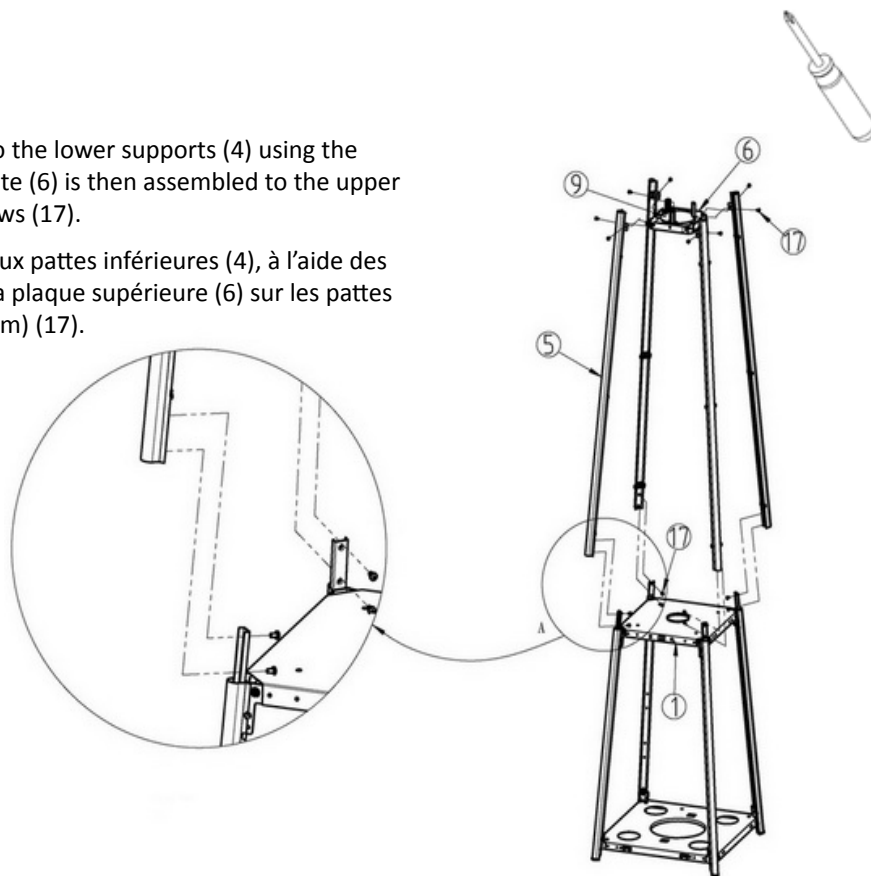
3.



16 X (M5 X 8)

Assemble the four upper supports (5) to the lower supports (4) using the (M5 x 8mm) screws (17). The upper plate (6) is then assembled to the upper supports (5) using the (M5 x 8mm) screws (17).

Fixez les quatre pattes supérieures (5) aux pattes inférieures (4), à l'aide des vis (M5 x 8 mm) (17). Installez ensuite la plaque supérieure (6) sur les pattes supérieures (5), à l'aide de vis (M5x 8 mm) (17).



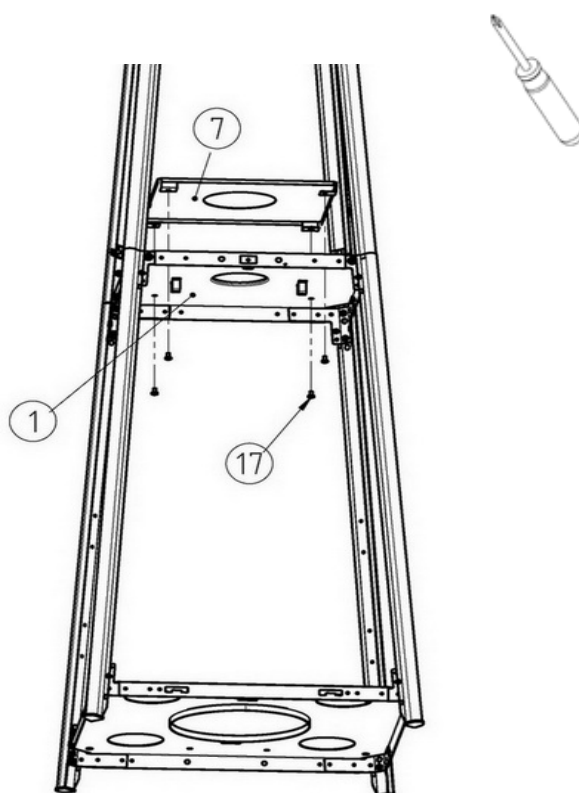
4.



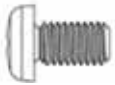
4 X (M5 X 8)

Assemble the plate cover (7) onto the middle plate (1) using the (M5 x 8mm) screws (17).

Fixez le couvercle de plaque (7) sur la plaque centrale (1), à l'aide de vis (M5 x 8 mm) (17).



5.



3 X (M5 X 8)

Install an AA battery (20) into the control box. Assemble the control box (2) onto the bottom of the middle plate (1) using the (M5 x 8mm) screws (17).

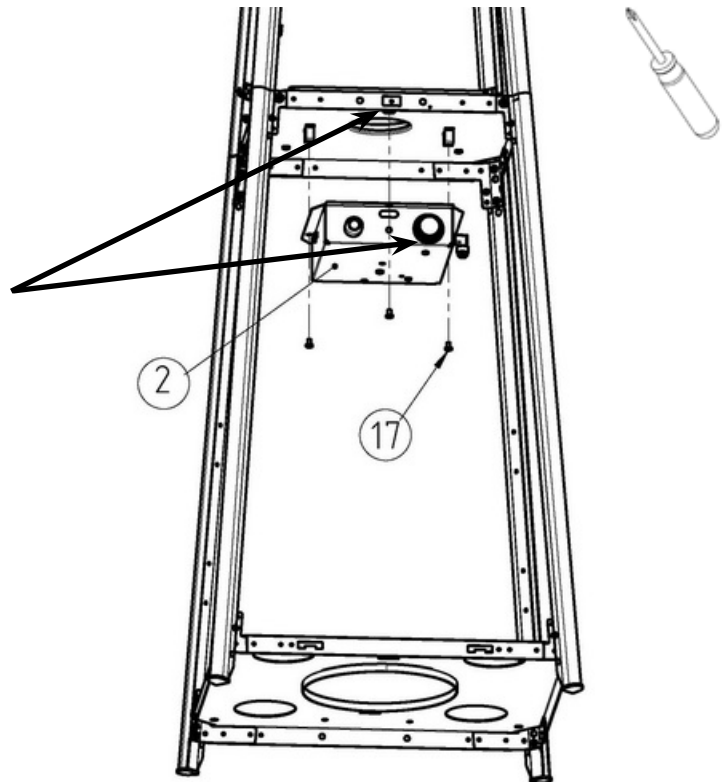
Note: The control knob is to face to the front of the torch where the magnet is installed in the middle plate.

Mettez une pile AA (20) dans le boîtier de contrôle (2), puis installez ce dernier sous la plaque centrale (1), à l'aide de vis (M5 x 8 mm) (17).

Note: Le bouton de contrôle doit être situé sur le devant du torche-patio, à l'endroit où se trouvent le aimant sur la plaque centrale.

Control box removal is not required. For step 2, use the short Phillips screwdriver (supplied) to assemble the lower supports.

L'enlèvement du boîtier de contrôle n'est pas requis. Pour l'étape 2, utilisez le tournevis Phillips (fourni) pour assembler les supports inférieurs.



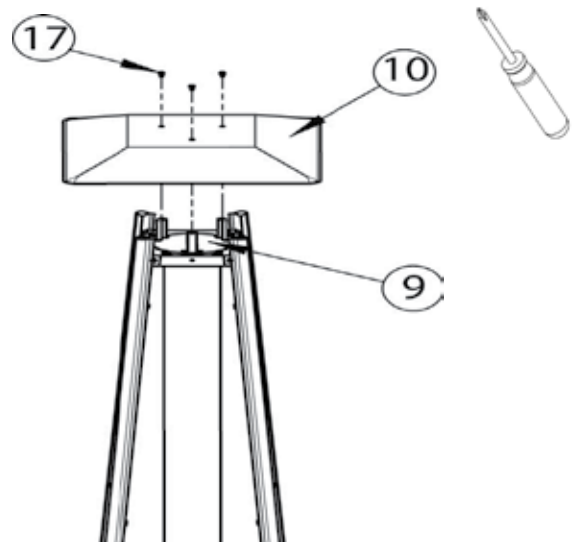
6.



3 X (M5 X 8)

Assemble the reflector (10) onto the damper (9) using the (M5 x 8mm) screws (17).

Installez le réflecteur (10) sur le registre (9), à l'aide de vis (M5 x 8 mm) (17).



7.

Carefully install the glass tube (8) by lifting up and inserting through the center hole in the upper plate (6). Ensure the black silicone ring is attached to the lower edge of the glass tube as illustrated. Slide the glass tube through the hole of the lower plate cover (7) and onto the middle plate (1). Check and ensure that the glass tube is positioned properly and is completely covering the center hole of the middle plate.

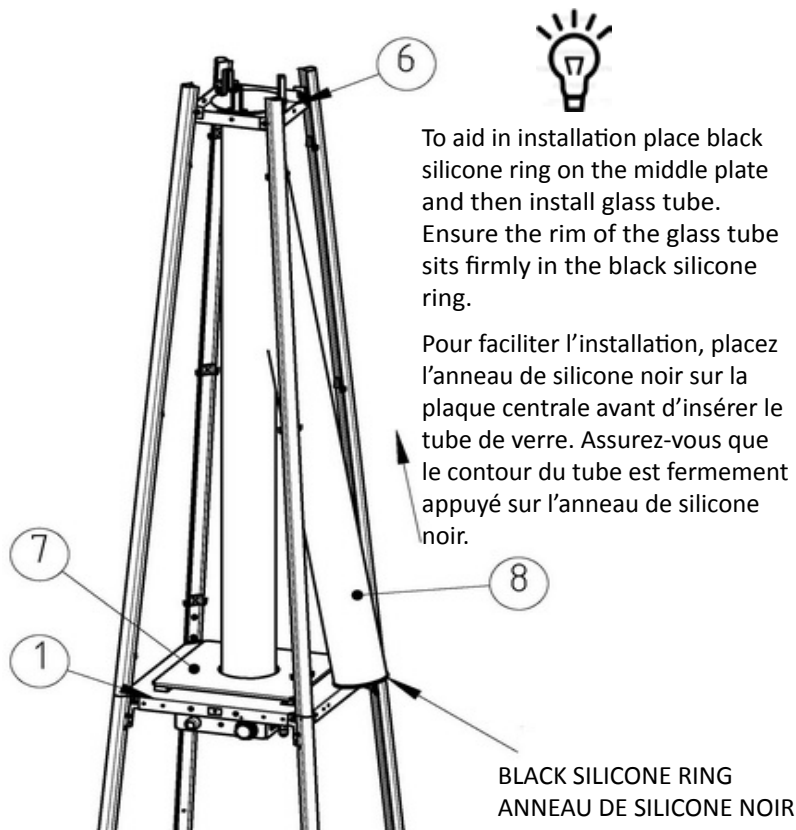


WARNING! The black silicone ring must be in place prior to operating the torch.

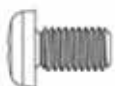
Installez doucement le tube de verre (8) en le soulevant, puis en l'insérant dans l'ouverture centrale de la plaque supérieure (6). Assurez-vous que l'anneau de silicone noir est bien fixé à l'extrémité inférieure du tube, comme illustré. Glissez le tube dans le trou du couvercle de plaque (7), puis sur la plaque centrale (1). Faites une vérification pour vous assurer que le tube est bien placé et qu'il couvre entièrement le trou de la plaque centrale.



AVERTISSEMENT! L'anneau de silicone noir doit être en place avant de faire fonctionner le torche-patio.



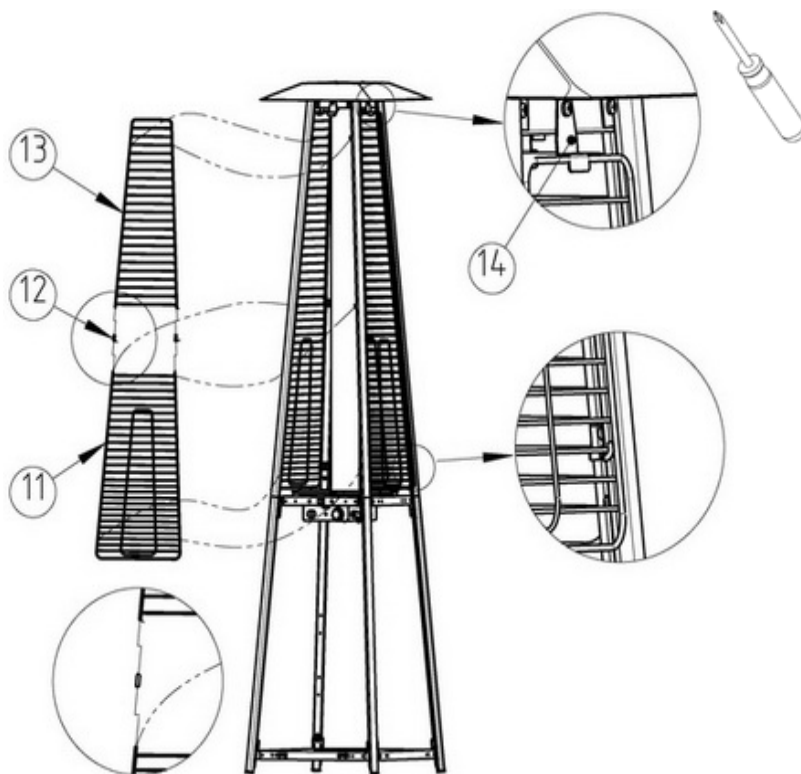
8.



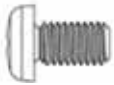
4 X (M5 X 8)

Assemble the upper and lower protective guards (11 & 13) using the supplied tube connectors (12). Attach the assembled guards onto the torch by inserting the hooks into the holes on the frame, (ensure that all of the hooks engage). Using the (M5 x 8mm) screws secure the guards in place by fastening the fixing brackets (14) to the top of the upper plate and over top of the guards as illustrated. Repeat this procedure until all guards are installed.

Assemblez les grillages de protection supérieur et inférieur (11 et 13) en utilisant les douilles fournies (12). Fixez les grillages assemblés sur le torche-patio en insérant les crochets dans les trous du cadre (assurez-vous que tous les crochets sont bien accrochés). À l'aide de vis (M5 x 8 mm), fixez les supports (14) dans le haut de la plaque supérieure, par-dessus le grillage, comme illustré. Procédez de la même façon pour les autres grillages.



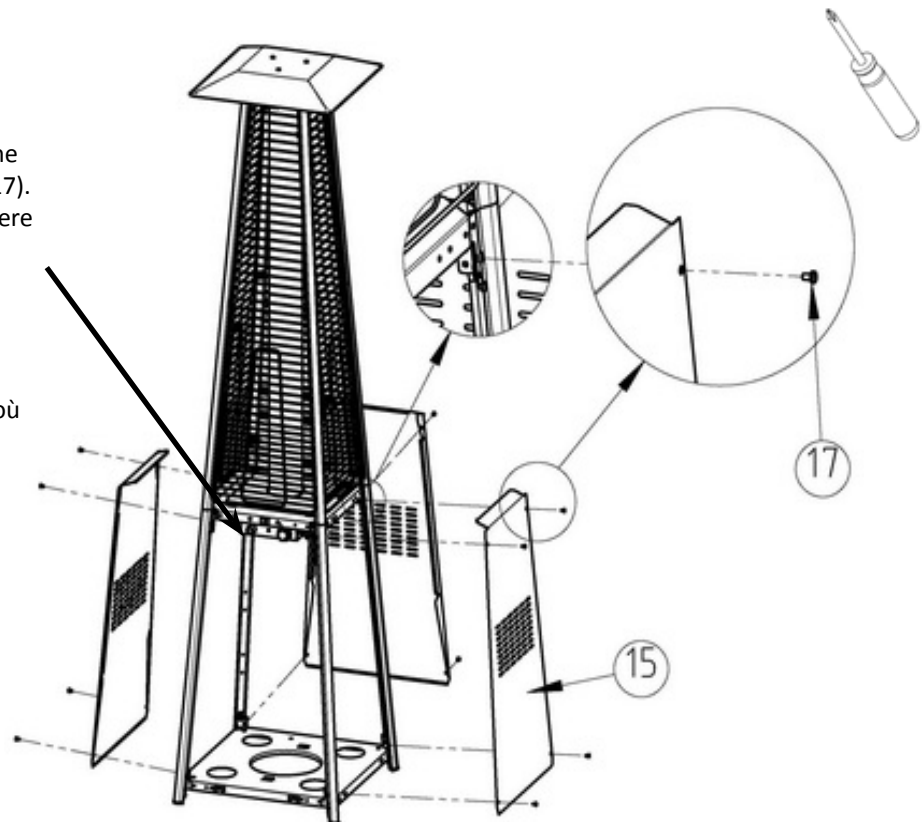
9.

**12 X (M5 X 8)**

Attach the three side panels (15) to the torch using the (M5 x 8mm) screws (17).
 Note: Do not cover the front side where the control knob is.

Fixez les trois panneaux latéraux (15) sur le torche-patio, à l'aide de vis (M5 x 8 mm) (17).

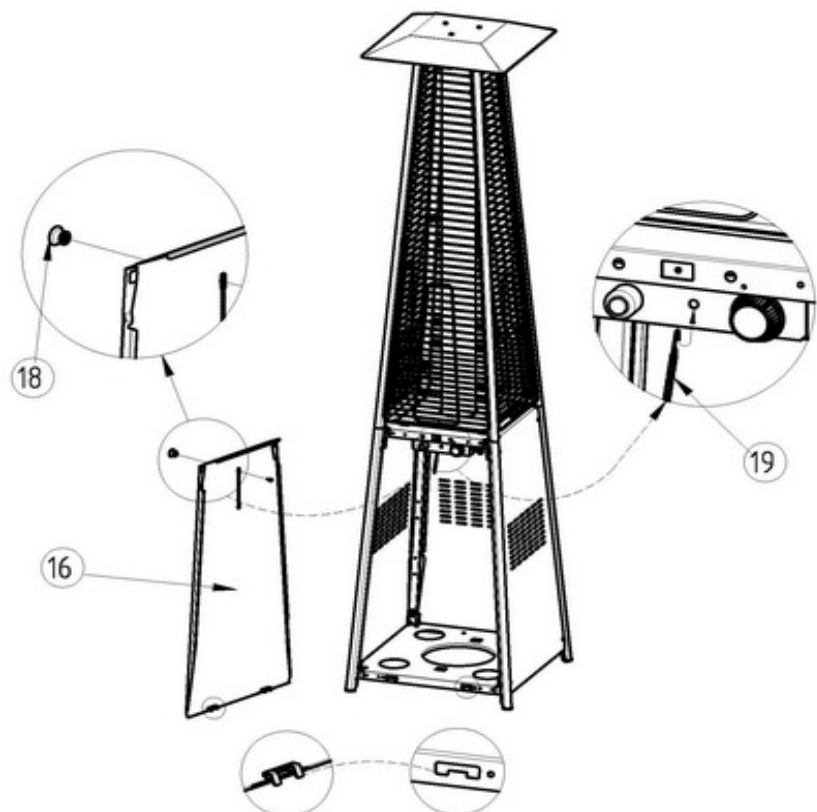
Note: Ne recouvrez pas le devant, là où se trouve le bouton de contrôle.



10.

Screw the knob (18) onto the front panel (16). Attach the panel to the torch by inserting the two tabs into the slots on the bottom plate (3). Hook the chain (19) (which is preassembled onto the front panel) into the hole in the front of the control box. The chain will keep the panel from falling forward while lighting/operating your torch.

Vissez le bouton (18) sur le panneau avant (16). Fixez ce dernier sur le torche-patio en insérant les deux languettes dans les fentes de la plaque inférieure (3). Accrochez la chaînette (19) (préalablement installée sur le panneau) dans le trou situé sur le devant du boîtier de contrôle. La chaînette empêchera le panneau de s'ouvrir lors de l'allumage ou du fonctionnement du torche-patio.

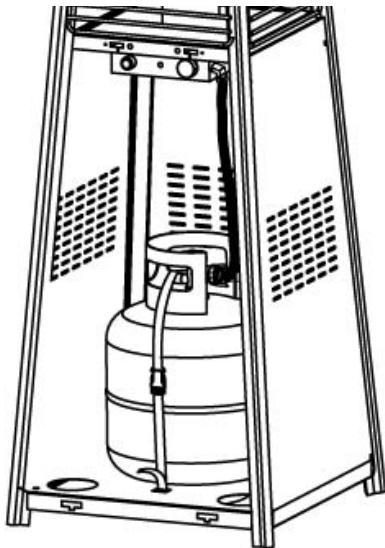


Propane Only – Proper Hose Connection
Propane Seulement - Branchement Adéquat Du Boyau



WARNING! Ensure the hose does not contact any high temperature surfaces, or it may melt and leak causing a fire.

AVERTISSEMENT! Assurez-vous que le boyau ne touche à aucune surface à haute température sinon il risque de fondre, de provoquer une fuite et causer un feu.



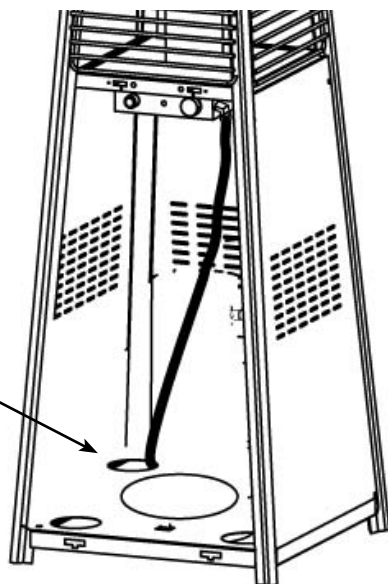
Natural Gas Only – Proper Hose Connection
Gaz Naturel Seulement - Branchement Adéquat Du Boyau



WARNING! The installation must be performed by a licensed gas fitter, and all connections must be leak tested before operating the grill.

AVERTISSEMENT! L'installation doit être effectuée par un installateur certifié pour le gaz et tous les raccordements doivent être testés pour des fuites avant de faire fonctionner le grill. Serrer la connexion avec deux clés.

RUBBER BUSHING
ANNEAU DE PROTECTION
EN CAOUTCHOUC



Leak Testing Instructions



WARNING! A leak test must be performed annually and each time a cylinder is hooked up or if a part of the gas system is replaced.



WARNING! Never use an open flame to check for gas leaks. Be certain no sparks or open flames are in the area while you check for leaks. Sparks or open flames will result in a fire or explosion, damage to property, serious bodily injury, or death.



Leak testing: This must be done before initial use, annually, and whenever any gas components are replaced or serviced. Do not smoke while performing this test, and remove all sources of ignition. See Leak Testing Diagram for areas to check. Turn all burner controls to the off position. Turn gas supply valve on.

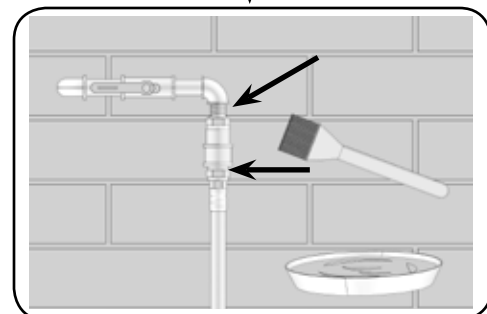
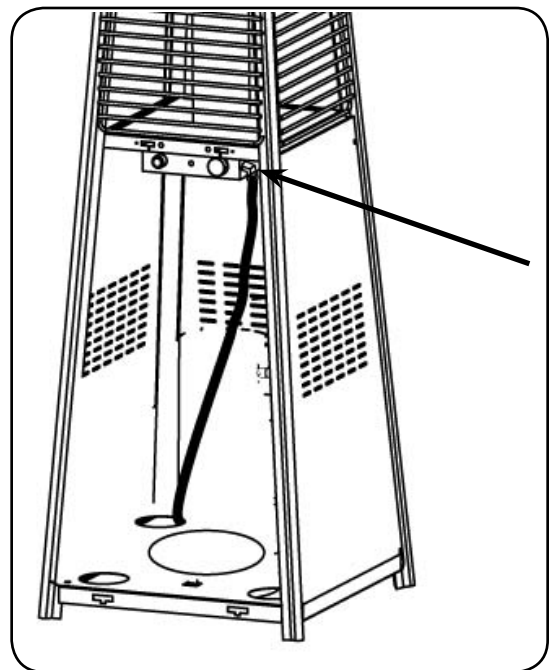
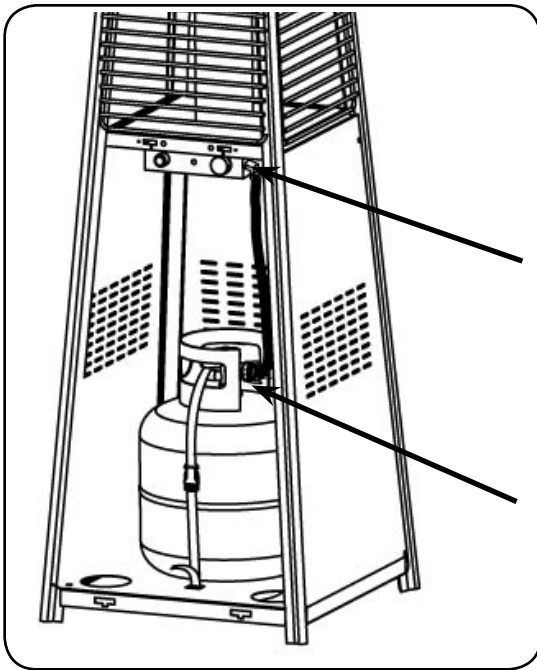


Brush a half-and-half solution of liquid soap and water onto all joints and connections of the regulator, hose, manifolds and valves.

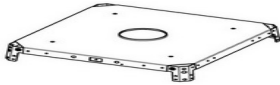




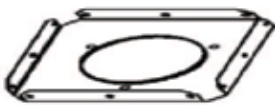


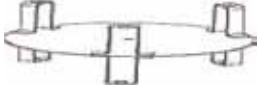
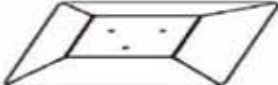



Bubbles will indicate a gas leak. Either tighten the loose joint or have the part replaced with one recommended by the Napoleon Customer Care department and have the patio torch inspected by a certified gas installer.





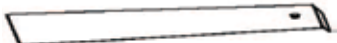







If the leak cannot be stopped, **immediately shut off the gas supply**, disconnect it, and have the patio torch inspected by a certified gas installer or dealer. Do not use the patio torch until the leak has been corrected.



Parts List

Item #	Description/Part #	Qty	Picture	Comments
1	Middle Plate - LH230-1-3-0	1		
2	Control Box Assy - LH200-30 Includes: Burner LP - LH100-3-8-0 Burner NAT - LH200-3A-8-0 Pilot LP - LH100-3-7A-0 Pilot NAT - LH200-3A-7-0 Valve Assy LP - LH200-3-2-0 Valve Assy NAT - LH200-3A-2-0 Pilot Tube - LH200-3-4-0 Igniter - LH100-3-10 Control Knob - LH100-3-1Y Tip Switch - LH100-3-9	1		Preassembled in the Middle Plate
3	Bottom Plate - LH230-1-1A-0	1		
4	Lower Support - LH230-1-2-0	4		
5	Upper Support - LH230-1-4-0	4		
6	Upper Plate - LH200-1-5-0	1		
7	Plate Cover - LH200-2-0	1		Preassembled in the Middle Plate
8	Glass Tube - LH100-4-2 Black Silicone Ring - LH100-4-1	1		
9	Damper - LH100-5-0	1		Preassembled in upper plate
10	Reflector - LH200-6	1		
11	Lower Protective Guard LH230-9	4		

Parts List

Item #	Description/Part #	Qty	Picture	Comments
12	Tube Connectors - LH200-8	8		
13	Upper Protective Guards LH230-7	4		
14	Fixing Brackets - LH100-10	4		
15	Side Panel - LH230-11A	3		
16	Front Panel - LH230-12-3-0	1		A chain is preassembled in this panel
17	Screw M5 x 8mm	58		Preassembled in relative parts
18	Knob - LH100-12-1	1		
19	Chain - LH100-12-2-0	1		Preassembled in the front panel
20	Propane Regulator Hose N530-0003	1		
21	Propane Tank Strap N640-0002	1		
22	Natural Gas Hose - N345-0001	1		
23	Rubber Bushing Natural Gas LH230-1-1A-2			

KEEP YOUR RECEIPT AS PROOF OF PURCHASE TO VALIDATE YOUR WARRANTY.

Ordering Replacement Parts

Warranty Information

MODEL: _____

DATE OF PURCHASE: _____

SERIAL NUMBER: _____

(Record information here for easy reference)

Before contacting the Customer Care Department, check the NAC Website for more extensive cleaning, maintenance, troubleshooting and parts replacement instructions at www.napoleongrills.com. Contact the factory directly for replacement parts and warranty claims. Our Customer Care Department is available between 9 AM and 5 PM (Eastern Standard Time) at 1-866-820-8686 or fax at 1-705-727-4282. To process a claim, we must be provided with the following information:

1. Model and serial number of the unit.
2. Part number and description.
3. A concise description of the problem ('broken' is not sufficient).
4. Proof of purchase (photocopy of the invoice).

In some cases the Customer Care Representative could request to have the parts returned to the factory for inspection before providing replacement parts. These parts must be shipped prepaid to the attention of the Customer Care Department with the following information enclosed:

1. Model and serial number of the unit.
2. A concise description of the problem ('broken' is not sufficient).
3. Proof of purchase (photocopy of the invoice).
4. Return Authorization Number - provided by the Customer Care Representative.

Before contacting customer care, please note that the following items are not covered by the warranty:

- Costs for transportation, brokerage or export duties.
- Labor costs for removal and reinstallation.
- Costs for service calls to diagnose problems.
- Discoloration of stainless steel parts.
- Part failure due to lack of cleaning and maintenance, or use of improper cleaners (oven cleaner).



FAX TO: 705 727 4282

ACCESSORIES & PARTS ORDER FORM

PLEASE PRINT CLEARLY

CONTACT NAME: _____

SHIP TO : _____

TEL : _____

FAX : _____

EMAIL: _____

VISA OR MASTERCARD # : _____ EXPIRY DATE: _____

SIGNATURE: _____

QUANTITY	PART NUMBER	DESCRIPTION

TAXES MAY APPLY
SHIPPING EXTRA

IF CONFIRMATION IS REQUIRED PLEASE INCLUDE A FAX NUMBER OR EMAIL ADDRESS

